

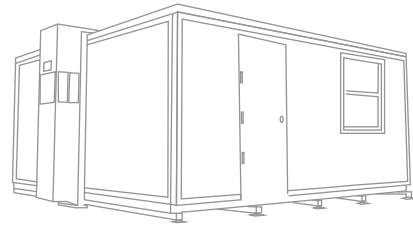


Locker Rooms

Advantages

- *FORTS provide the ideal solution for an upscale locker room feel*
- *Expandable to accommodate as many people as necessary*
- *Climate controlled to be comfortable in all elements*
- *16'x16' interior footprint to maximize layout possibilities*
- *Keypad lock system*
- *Built-in Coax & HDMI connections*
- *Additional pass-throughs for large wires*
- *Secure storage options*
- *Optional furniture packages*
- *Ramp and step options*





Up To 180 Mph

Up To 4 FORTS Units Per Truck

Leveled+ Assembled On Any Surface

Built-in HVAC, Lighting, Data, Power Outlets

Energy Efficiency + Environmentally Friendly

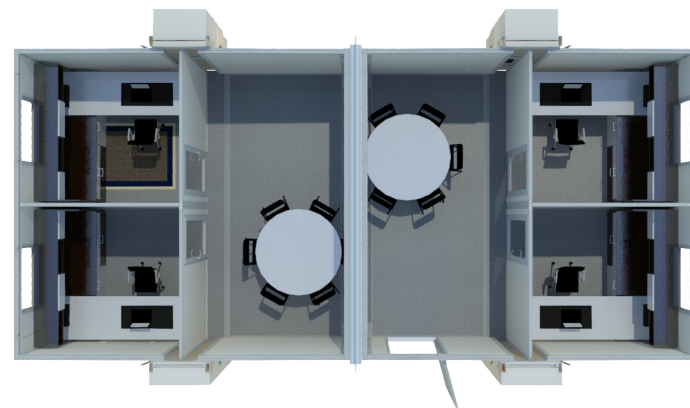
Rapid 15 Minutes Set-up

Easily Maneuverable

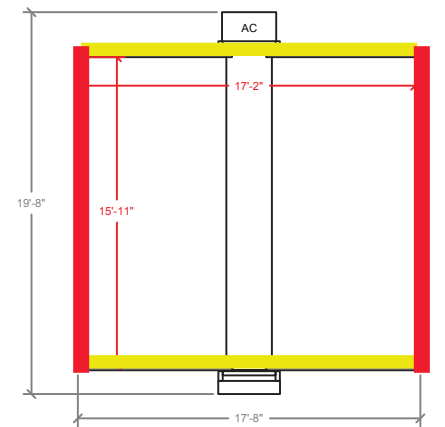
4,000 lbs per FORTS Unit

Branding Options Available

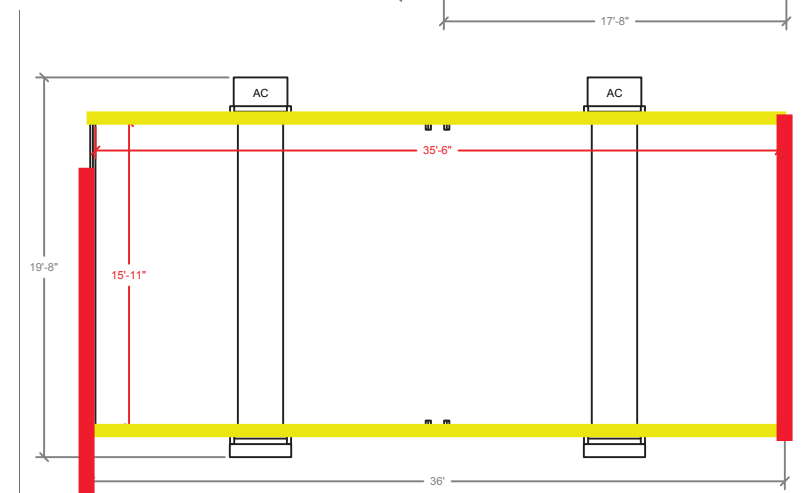
FORTS SYSTEMS



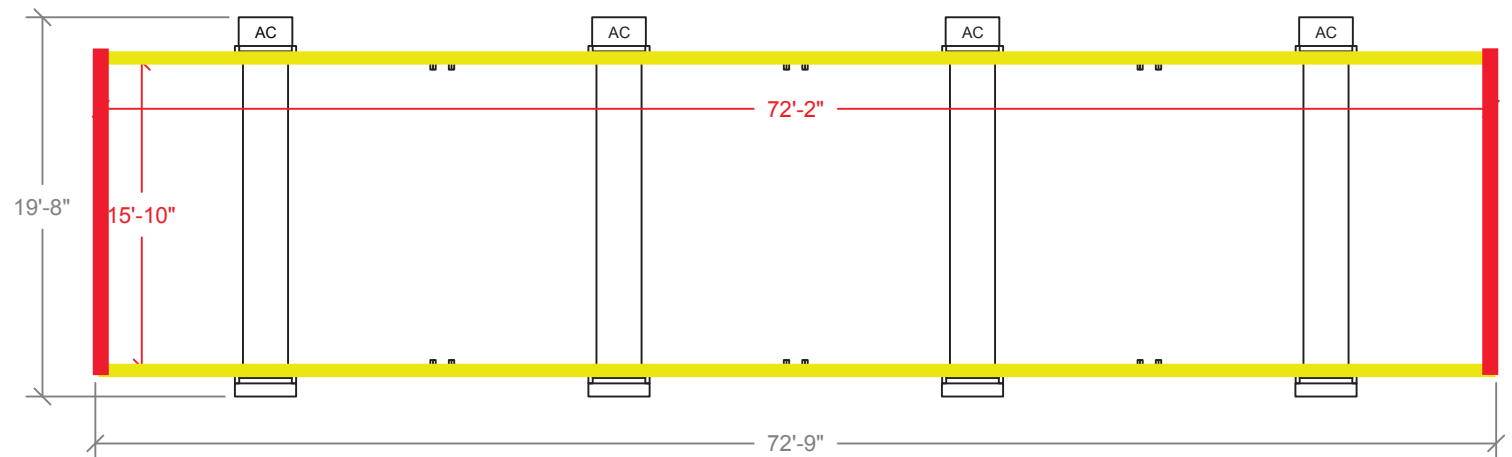
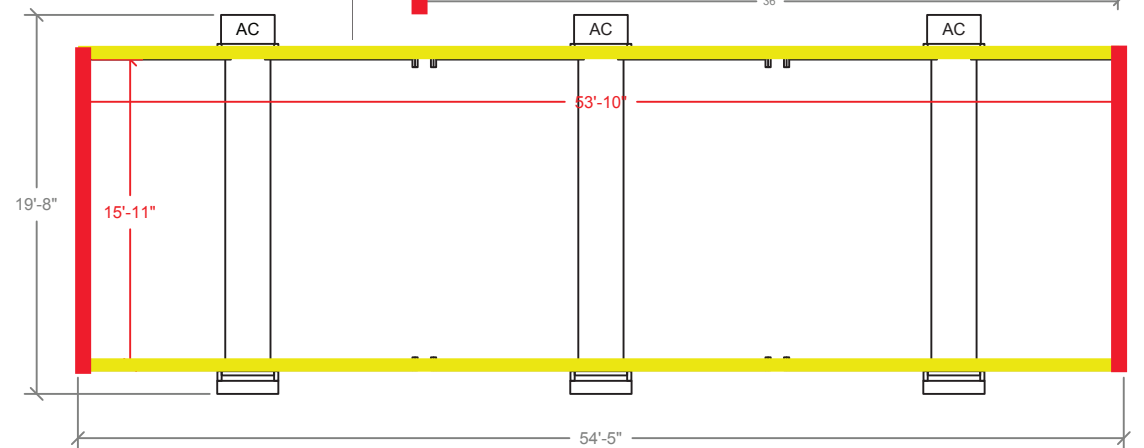
MULTIPLE INTERIOR LAYOUT OPTIONS



SINGLE UNIT



TANDEM



ALPHA WALL



BETA WALL



CONTACT US (786) 942 - 4389 | info@fortsservices.com | fortsservices.com