

Command Center

Advantages

- *Panoramic window allows for viewing of surrounding area from inside the command center*
- *16ft wide footprint to maximize furniture layout*
- *5G/WiFi capability*
- *Keypad lock system*
- *Can fit up to 18 workstations per FORT*

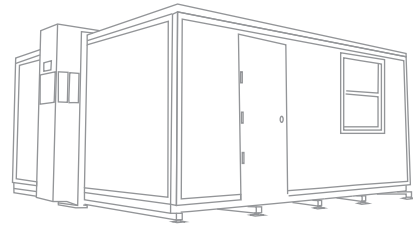


Command Center Cont.

Advantages

- *72-hour turnaround time*
- *No loss of operational time if units need to be moved on site*
- *Save money and time with up to 30 units deployed in one day with minimal labor*
- *Ramp or step options*





Up To 180 Mph

Up To 4 FORTS Units Per Truck

Leveled+ Assembled On Any Surface

Built-in HVAC, Lighting, Data, Power Outlets

Energy Efficiency + Environmentally Friendly

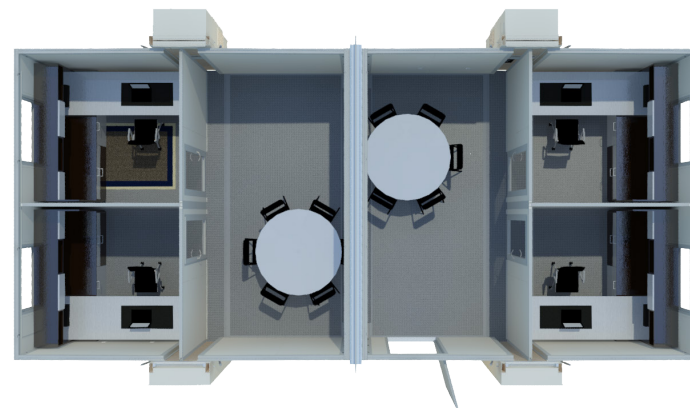
Rapid 15 Minutes Set-up

Easily Maneuverable

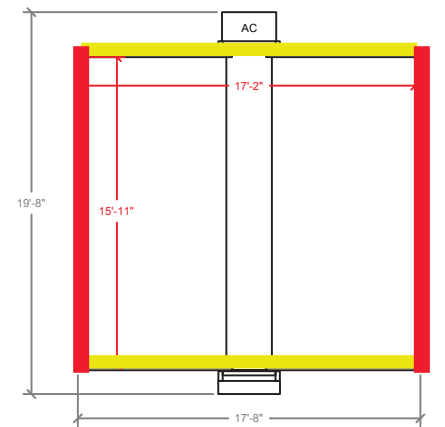
4,000 lbs per FORTS Unit

Branding Options Available

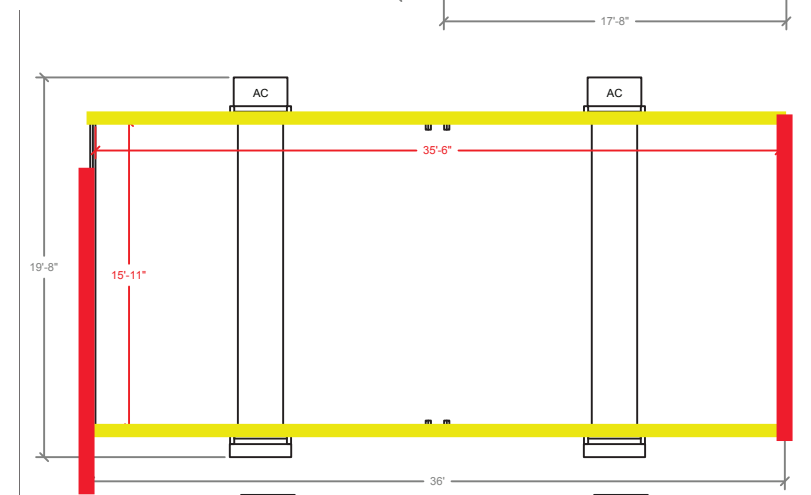
FORTS SYSTEMS



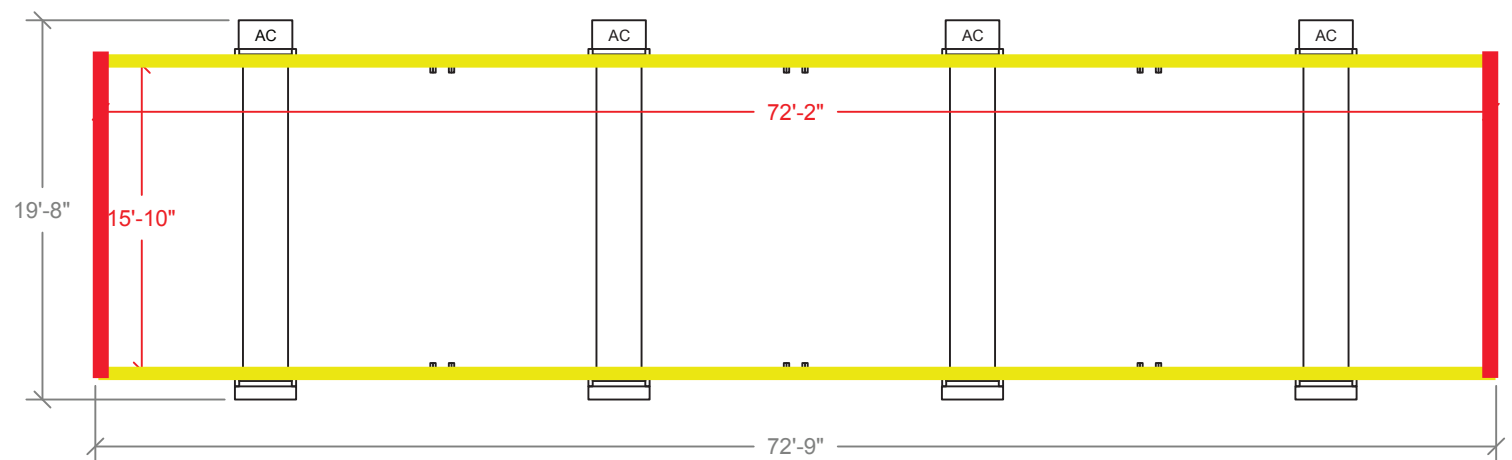
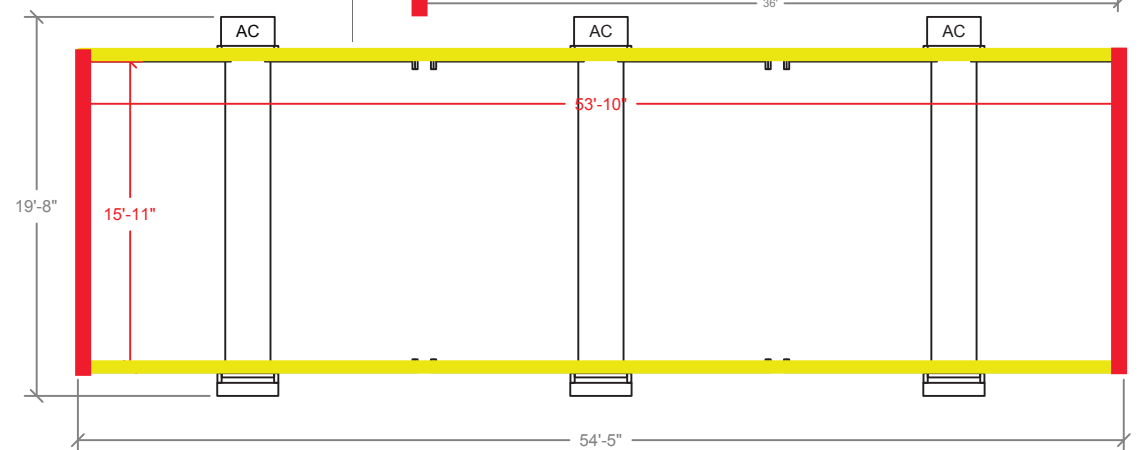
MULTIPLE INTERIOR LAYOUT OPTIONS



SINGLE UNIT



TANDEM



ALPHA WALL



BETA WALL



CONTACT US (786) 942 - 4389 | info@fortsservices.com | fortsservices.com