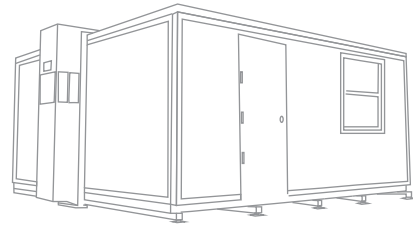




# Art Gallery

## Advantages

- Ability to have a pop-up art gallery anywhere, anytime
- Climate controlled for comfortability
- Can be fully wrapped for branding or aesthetic purposes
- Built-in Coax & HDMI connections for all needs
- Ramp and step options
- 16ft wide footprint to maximize space
- Flexible layouts for interior/exterior, entrance and windows
- Optional boutique style doors and windows for the ideal art gallery look



Up To 180 Mph

Up To 4 FORTS Units Per Truck

Leveled+ Assembled On Any Surface

Built-in HVAC, Lighting, Data, Power Outlets

Energy Efficiency + Environmentally Friendly

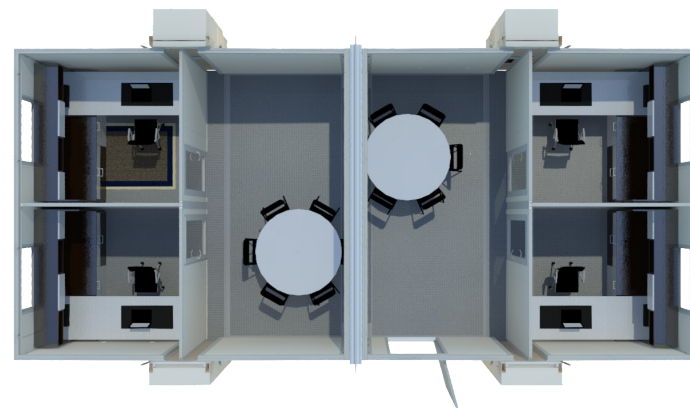
Rapid 15 Minutes Set-up

Easily Maneuverable

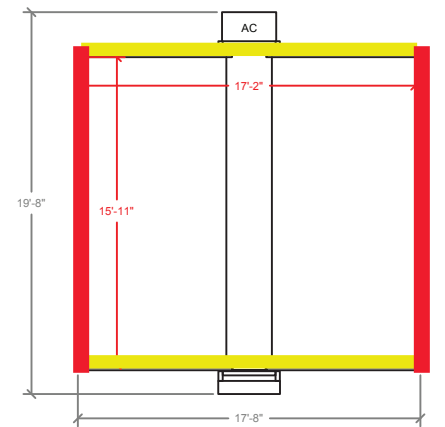
4,000 lbs per FORTS Unit

Branding Options Available

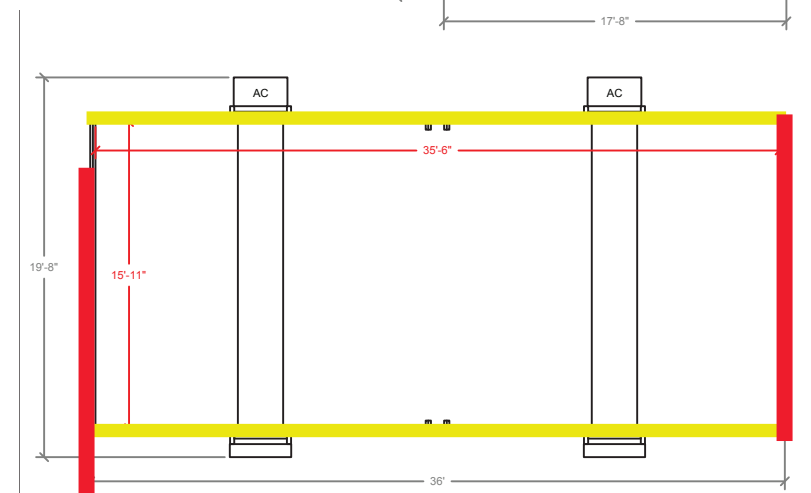
# FORTS SYSTEMS



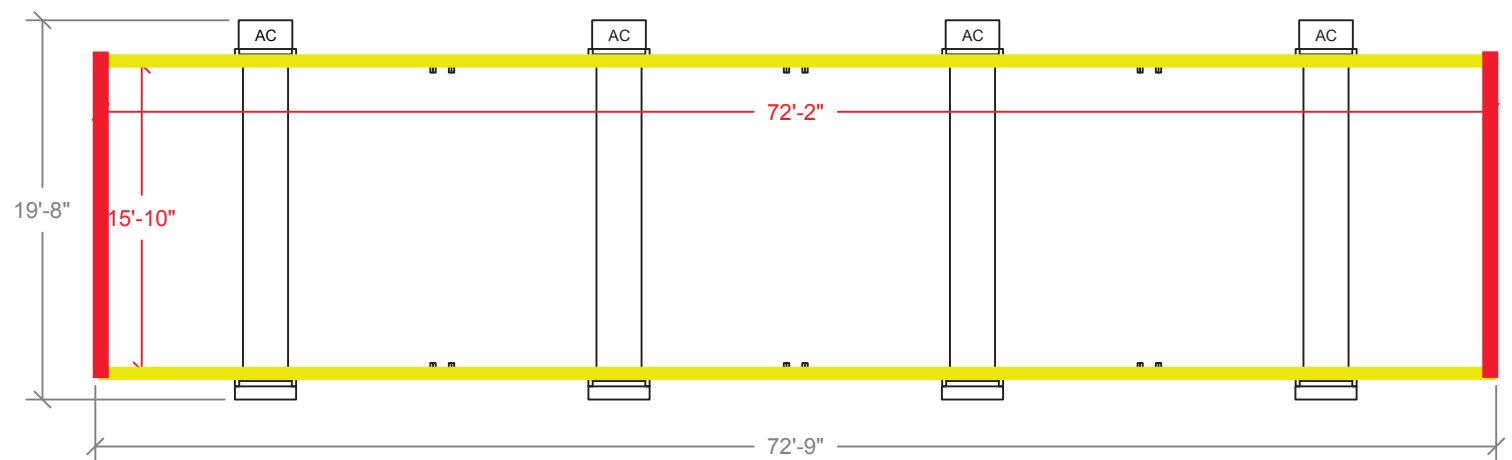
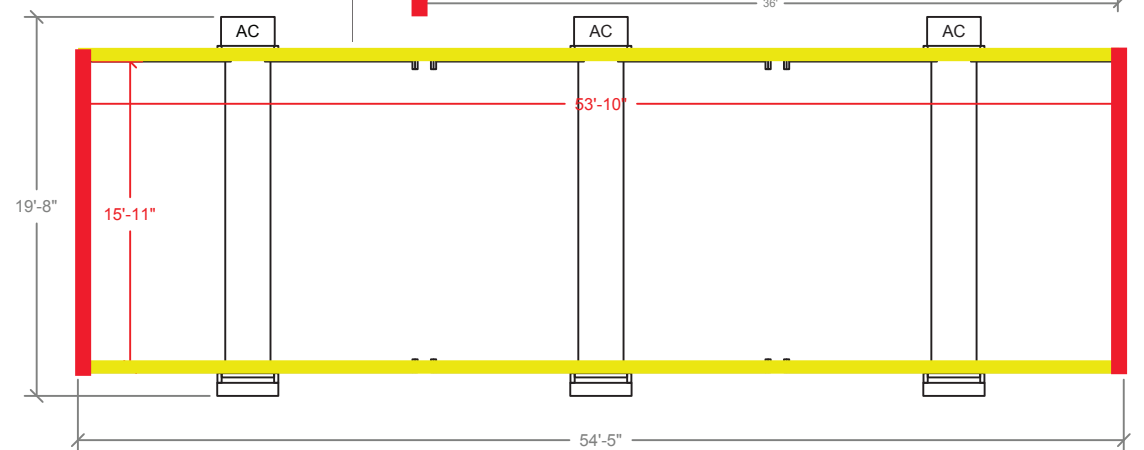
MULTIPLE INTERIOR LAYOUT OPTIONS



SINGLE UNIT



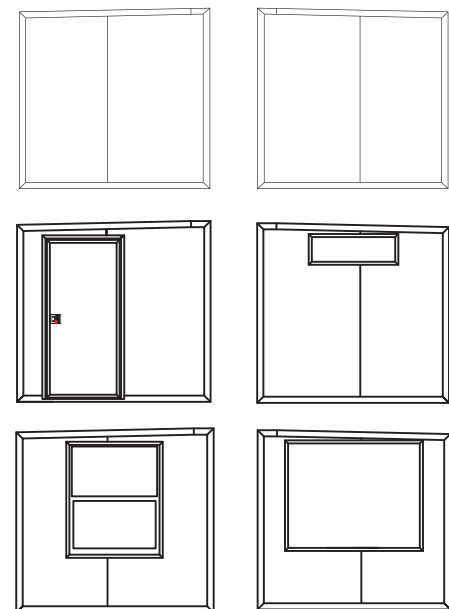
TANDEM



## ALPHA WALL



## BETA WALL



CONTACT US (786) 942 - 4389 | info@fortsservices.com | fortsservices.com